



The Model 25 Reversing Relay provides an output which will decrease in direct proportion to an increase in input pressure.

### Features

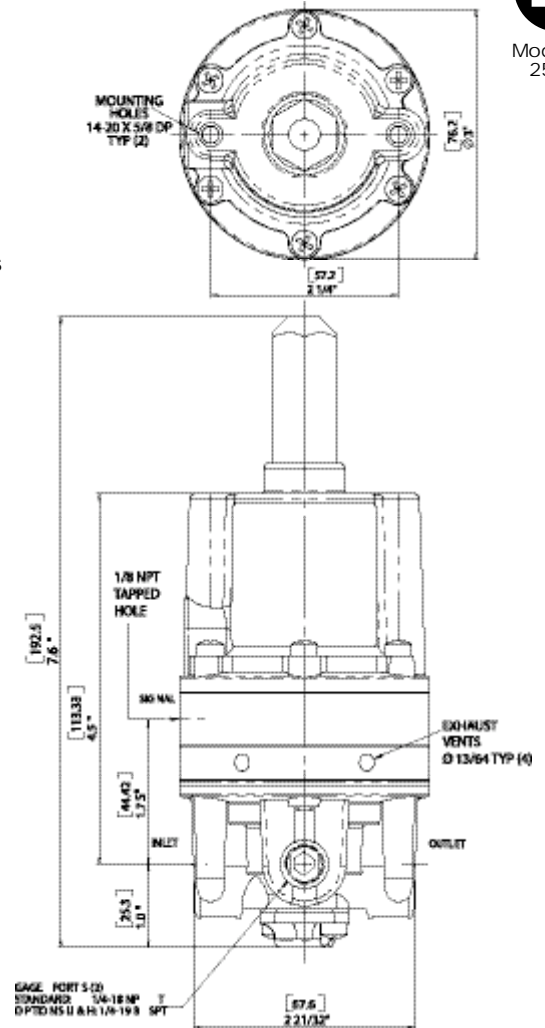
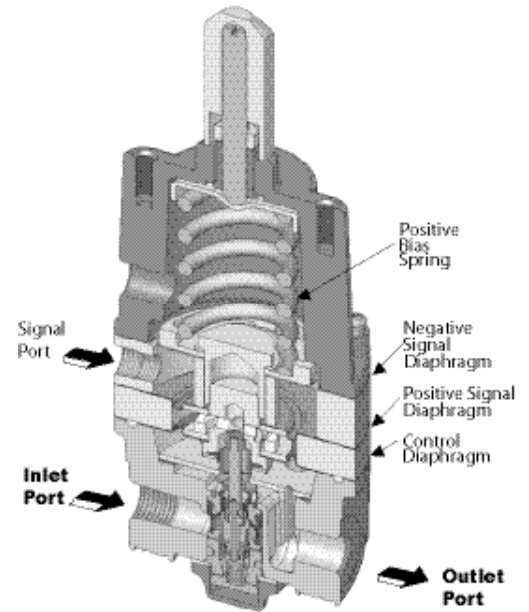
- High strength, deep convolution compensating diaphragm.
- Bottom pressure balancing chamber with a diaphragm.
- Floating seal ring.
- Balances undesirable relief seat forces.
- Ensures balanced supply seat forces.
- Protects stabilizing chamber from effect of high relief flows.

### Operating Principles

The Model 25 Reversing Relay is designed for applications requiring an output that equals a manually preset spring load minus a variable signal pressure. This high quality unit combines excellent sensitivity with unusually high flow capacity.

The Model 25 is ideally suited for a variety of precision control applications, including converting direct acting valves to reverse action, controlling opposite acting valves from a single transmitter, and cushioning cylinder loads.

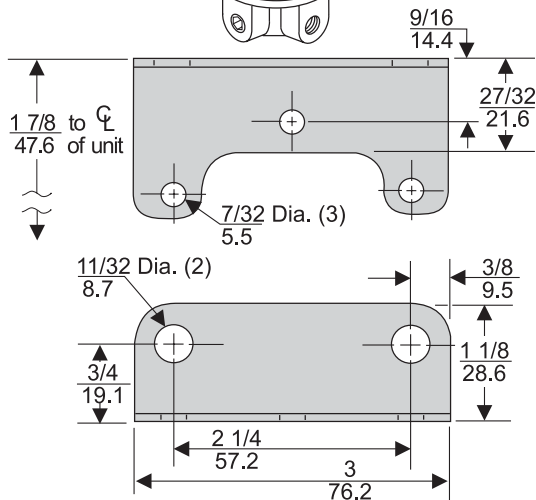
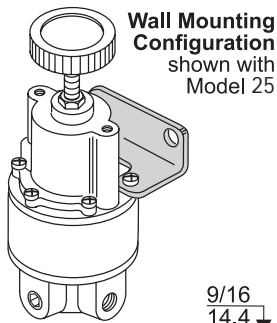
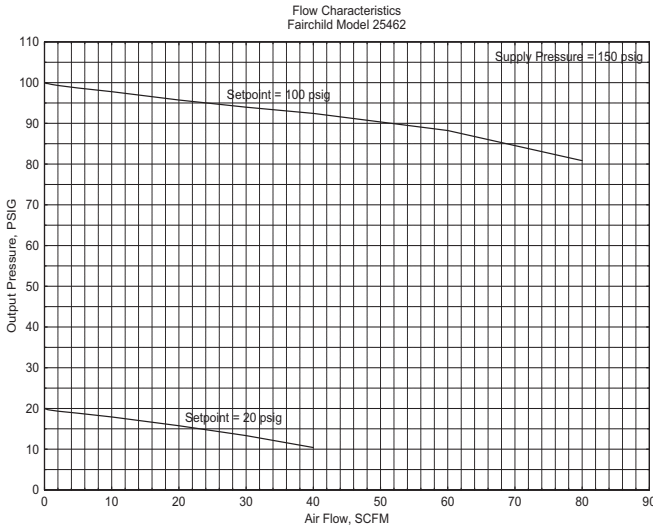
The basic mathematical expression for the Model 25 is  $PO = K - PS$  where PO is output pressure, PS is signal pressure and K is the spring constant.



Model 25

# Model 25 Reversing Relay

## Technical Information



Mounting Bracket: 09921

## Model 25 Relay Kits & Accessories

Mounting Bracket Kit.....09921 (sold separately)

## Catalog Information

Catalog Number 2 5

### Pressure Range

psig	[BAR]	(kPa)	
0-10	[0-0.7]	(0-70)	42
0.5-30	[0.03-2]	(3-200)	43
1-60	[0.1-4]	(10-400)	44
2-150	[0.15-10]	(15-1000)	46

### Pipe Size

1/4" NPT	2
3/8" NPT	3
1/2" NPT	4

### Options

Tapped Exhaust	E
BSPP (Parallel) <sup>1</sup>	H
Fluorocarbon Elastomers	J
BSPT (Tapered)	U

<sup>1</sup> BSPP Threads in Inlet & Outlet Ports Only. Others BSPT.

### Service Kit

A Service Kit is available for the Model 25 Reversing Relay, refer to the *Fairchild Installation, Operation and Maintenance Instructions*, IS-30000025.

### Specifications

#### Maximum Supply Pressure

250 psig, [17.5 BAR], (1750 kPa)

#### Flow Capacity

40 SCFM (68 m<sup>3</sup>/HR) @ 100 psig, [7.0 BAR], (700 kPa) supply, 20 psig, [1.5 BAR], (150 kPa) setpoint

#### Exhaust Capacity

11 SCFM (18.7 m<sup>3</sup>/HR) where downstream pressure is 5 psig, [.35 BAR], (35 kPa) above setpoint

#### Signal or Output Pressure

150 psig, [10 BAR], (1000 kPa) maximum

#### Supply Pressure Effect

Less than 0.1 psig, [.007 BAR], (.7 kPa) for 100 psig, [7.0 BAR], (700 kPa) change in supply pressure

#### Sensitivity

Less than 1/8" (.32 cm) Water Column

#### Mounting

Pipe or Panel

#### Ambient Temperature Limits

-40°F to +200°F, (-40°C to 93.3°C)

#### Materials of Construction

Body .....Aluminum  
Trim .....Aluminum, Stainless Steel, Brass  
Diaphragms .....Buna N and Dacron

P.S.I. Supplies Pty Ltd trading as



For sales information contact:

[www.psifluidpower.com.au](http://www.psifluidpower.com.au)

[sales@psifluidpower.com.au](mailto:sales@psifluidpower.com.au)

Ph: +61 (0) 3 9720 5577