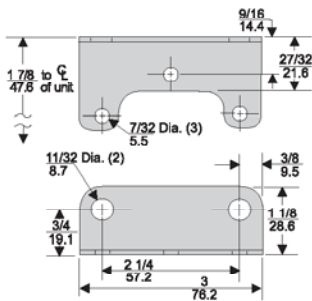
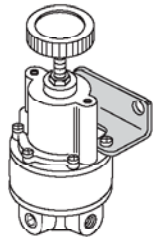
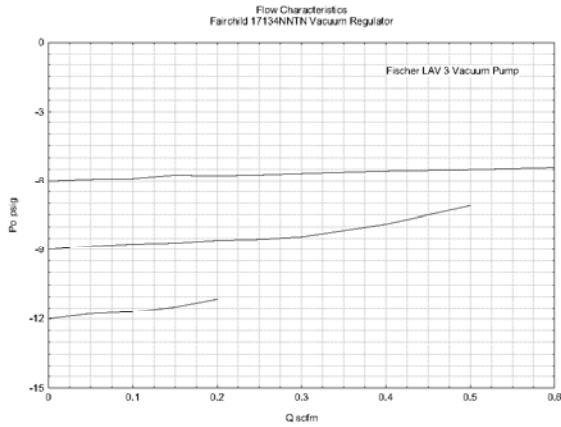


Technical Information



Model 17 Regulator Kits & Accessories

Mounting Bracket Kit09921 (sold separately)

Specifications

Max Vacuum Capacity
30 in Hg (762 Torr) (102 kPa), up to "Full" Vacuum

Flow Capacity
12 SCFM (20.4 m³/HR)

Relief Capacity
2.0 SCFM (3.4 m³/HR)

Vacuum Supply Effect
Less than 0.1 % of change in supply vacuum

Ambient Temperature
-40°F to +200°F, (-40°C to 93.3°C)

Hazardous Locations
Acceptable for use in Zones 1 and 2 for gas atmospheres; Groups IIA and IIB and Zones 21 and 22 for dust atmospheres

Materials of Construction
Body and Housing Aluminum
DiaphragmsBuna N on Dacron (Std. unit only)
Trim Stainless, Zinc Plated Steel

Ordering Information

Catalog Number 171

Vacuum Range

in Hg	[Torr]	(kPa)
0-5	[127]	(17)
0-15	[381]	(51)
0-30	[762]	(102)

Pipe Size

1/4" NP
3/8" NPT
1/2" NPT

Port Threads

NPT
BSPP
BSPT

Elastomer

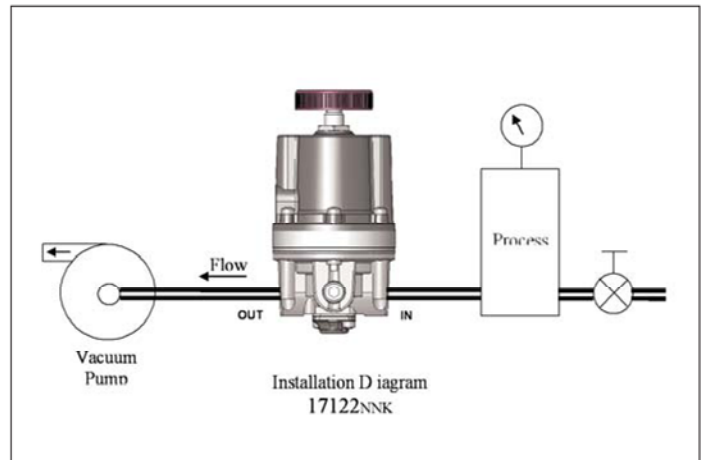
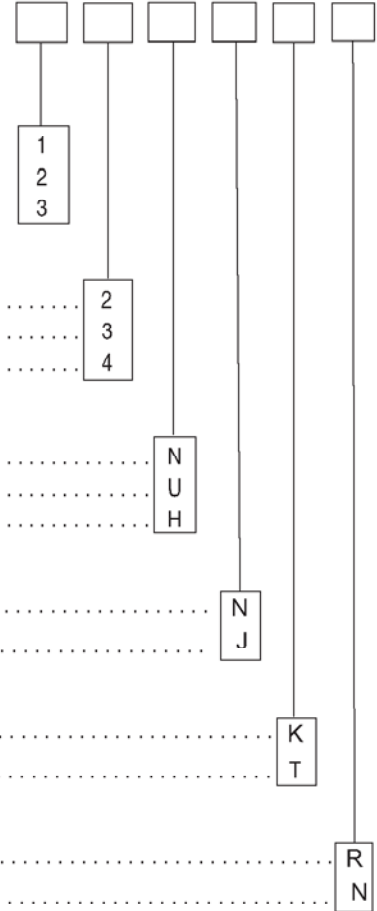
Nitrile
Fluorocarbon

Actuator Type

Knob Assembly
Tamperproof

Relief

Relieving
Non-Relieving



P.S.I. Supplies Pty Ltd trading as



For sales information contact:

www.psifluidpower.com.au

sales@psifluidpower.com.au

Ph: +61 (0) 3 9720 5577